



STAINLESS STEEL

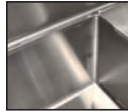


FABRICATED ECONOMY SINKS

Three & Four Compartments



Rollled Rim Edge For Additional Strength



Fabricated Bowls are Welded Together at the Seams

Item #: _____ Qty #: _____
 Model #: _____
 Project #: _____

FEATURES:

- Backsplash has tile edge for ease of installation.
- Sink bowls are 3/4" coved corner and meet NSF requirements.
- Rollled Rim Edge for additional strength.
- Sink Bowls are 14" deep for greater capacity.
- Adjustable front-to-back cross-bracing

MATERIAL:

- 1 5/8" diameter stainless steel legs with 1" adjustable stainless steel bullet feet.
- Entire unit is 16 gauge 304 stainless steel.
- Gussets - stainless steel.

MECHANICAL:

- Supply is 1/2" IPS hot & cold.
- Faucet holes on 8" centers.
- Faucets are not included (see accessories).
- Waste drains are 1 1/2" IPS S/S basket type, located in center of sink bowl, and are included.

CONSTRUCTION:

- All TIG welded.
- Welded areas blended to match adjacent surfaces and to a satin finish.
- Gussets welded to a die-formed reinforced plate.

OPTIONAL:



K-700
Removable Side Splashes
Fits Left OR Right Side

| MODEL # | Length L | Width W | Bowl Size A & B | Drbd. Length C | # Of Drbds. | Drbd. Location | Wt | | |
|-------------------------|----------|---------|-----------------|----------------|-------------|----------------|----------|-------|----------|
| FC-3-1515 | 50" | 21" | 15" x 15" | N/A | 0 | None | 85 lbs. | | |
| FC-3-1515-15RorL | 62.5" | | | 15" | 1 | Specify | 98 lbs. | | |
| FC-3-1515-15RL | 75" | | | 15" | 2 | R & L | 120 lbs. | | |
| FC-3-1524 | 50" | 30" | 15" x 24" | N/A | 0 | None | 180 lbs. | | |
| FC-3-1524-24RorL | 71.5" | | | 24" | 1 | Specify | 210 lbs. | | |
| FC-3-1524-24RL | 93" | | | 24" | 2 | R & L | 255 lbs. | | |
| FC-3-1620 | 53" | 26" | 16" x 20" | N/A | 0 | None | 120 lbs. | | |
| FC-3-1620-18RorL | 68.5" | | | 18" | 1 | Specify | 225 lbs. | | |
| FC-3-1620-18RL | 84" | | | 18" | 2 | R & L | 235 lbs. | | |
| FC-3-1620-24RL | 96" | | | 24" | 2 | R & L | 263 lbs. | | |
| FC-3-1620-36RL | 120" | | | 36" | 2 | R & L | 300 lbs. | | |
| FC-3-1818 | 59" | 24" | 18" x 18" | N/A | 0 | None | 135 lbs. | | |
| FC-3-1818-18RorL | 74.5" | | | 18" | 1 | Specify | 235 lbs. | | |
| FC-3-1818-24RorL | 80.5" | | | 24" | 1 | Specify | 250 lbs. | | |
| FC-3-1818-18RL | 90" | | | 18" | 2 | R & L | 245 lbs. | | |
| FC-3-1818-24RL | 102" | 24" | 2 | R & L | 265 lbs. | | | | |
| FC-3-1824 | 59" | 30" | 18" x 24" | N/A | 0 | None | 182 lbs. | | |
| FC-3-1824-18RorL | 74.5" | | | 18" | 1 | Specify | 220 lbs. | | |
| FC-3-1824-24RorL | 80.5" | | | 24" | 1 | Specify | 230 lbs. | | |
| FC-3-1824-18RL | 90" | | | 18" | 2 | R & L | 265 lbs. | | |
| FC-3-1824-24RL | 102" | | | 24" | 2 | R & L | 270 lbs. | | |
| †FC-3-2424 | 79" | 30" | 24" x 24" | N/A | 0 | None | 243 lbs. | | |
| †FC-3-2424-18RorL | 92.5" | | | 18" | 1 | Specify | 260 lbs. | | |
| †FC-3-2424-24RorL | 98.5" | | | 24" | 1 | Specify | 281 lbs. | | |
| †FC-3-2424-18RL | 108" | | | 18" | 2 | R & L | 295 lbs. | | |
| †FC-3-2424-24RL | 120" | | | 24" | 2 | R & L | 315 lbs. | | |
| FC-3-2028-24RL | 108" | | | 34" | 20" x 28" | 24" | 2 | R & L | 310 lbs. |
| FC-3-2030-20RL | 100" | | | 36" | 20" x 30" | 20" | 2 | R & L | 318 lbs. |
| FC-3-2030-24RL | 108" | | | | | 24" | 2 | R & L | 330 lbs. |
| FC-3-2030-30RL | 120" | | | | | 30" | 2 | R & L | 345 lbs. |
| †FC-3-2430 | 77" | | | 36" | 24" x 30" | N/A | 0 | None | 225 lbs. |
| †FC-3-2430-24RorL | 99" | 24" | 1 | | | Specify | 310 lbs. | | |
| †FC-3-2430-24RL | 120" | 24" | 2 | | | R & L | 345 lbs. | | |
| †FC-3-2430-30RorL | 105" | 30" | 1 | | | Specify | 335 lbs. | | |
| †FC-3-2430-30RL | 132" | 30" | 2 | | | R & L | 370 lbs. | | |
| †FC-3-2430-36RorL | 111" | 36" | 1 | | | Specify | 360 lbs. | | |
| †FC-3-2430-36RL | 144" | 36" | 2 | | | R & L | 410 lbs. | | |
| †FC-3-3024 | 95" | 30" | 30" x 24" | | | N/A | 0 | None | 225 lbs. |
| †FC-3-3024-24RorL | 117" | | | 24" | 1 | Specify | 325 lbs. | | |
| †FC-3-3024-24RL | 138" | | | 24" | 2 | R & L | 360 lbs. | | |
| †FC-3-3024-30RorL | 123" | | | 30" | 1 | Specify | 350 lbs. | | |
| †FC-3-3024-30RL | 150" | | | 30" | 2 | R & L | 395 lbs. | | |
| †FC-3-3024-36RorL | 129" | | | 36" | 1 | Specify | 390 lbs. | | |
| †FC-3-3024-36RL | 162" | 36" | 2 | R & L | 425 lbs. | | | | |
| †FC-3-3030 | 95" | 36" | 30" x 30" | N/A | 0 | None | 250 lbs. | | |
| †FC-3-3030-24RL | 138" | | | 24" | 2 | R & L | 390 lbs. | | |
| †FC-3-3030-30RL | 150" | | | 30" | 2 | R & L | 435 lbs. | | |
| †FC-3-3030-36RL | 162" | | | 36" | 2 | R & L | 460 lbs. | | |
| 4 COMP. †FC-4-1818-18RL | 108" | 30" | 18" x 18" | 18" | 2 | R & L | 280 lbs. | | |
| †FC-4-1824-18RL | 108" | 30" | 18" x 24" | 18" | 2 | R & L | 340 lbs. | | |
| †FC-4-2424-24RL | 144" | 30" | 24" x 24" | 24" | 2 | R & L | 355 lbs. | | |

† Requires Two Sets of Faucets



Customer Service Available To Assist You 1-800-645-3166 8:30 am - 7:00 pm E.S.T.

For Orders & Customer Service:

Email: customer@advancetabco.com or Fax: 631-242-6900

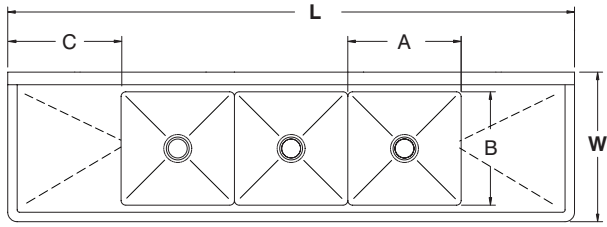
For Smart Fabrication™ Quotes:

Email: smartfab@advancetabco.com or Fax: 631-586-2933

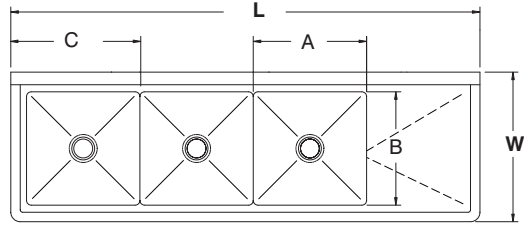
DIMENSIONS and SPECIFICATIONS

TOL Overall: ± .500"
 Interior: ± .250"

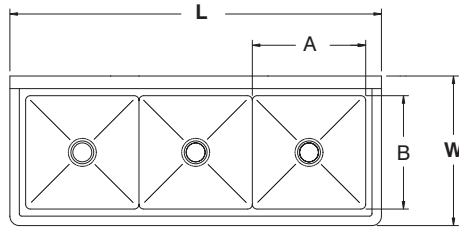
ALL DIMENSIONS ARE TYPICAL



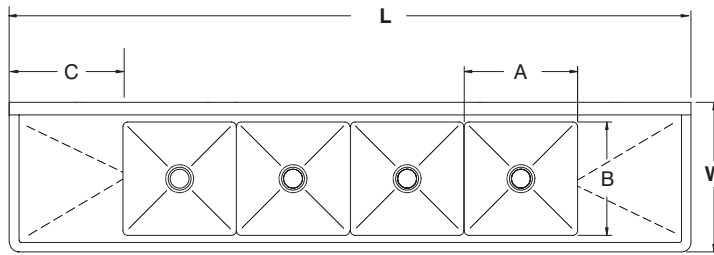
3 COMP - 2 DRBD



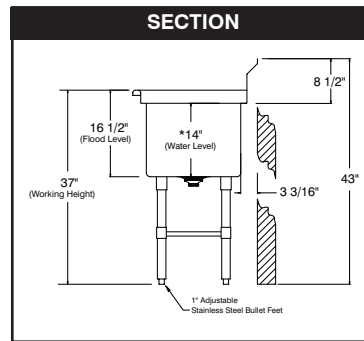
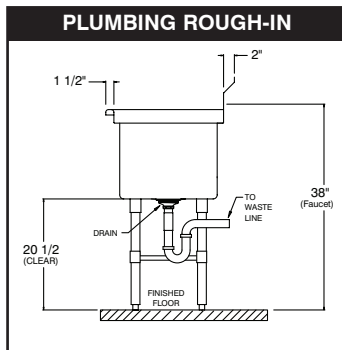
3 COMP - 1 DRBD



3 COMP



4 COMP - 2 DRBD



| ACCESSORIES | Model # | Qty |
|-------------|---------|-----|
| DRAINS | | |
| FAUCETS | | |
| | | |

| OPTIONAL MODIFICATIONS: | |
|-------------------------|---|
| K-450 | Extend Drainboard Length <i>(Drainboards over 36" Are Not Creased or Pitched.)</i> |
| K-470 | Modify Bowl Depth |

[See our full line of Modifications & Accessories on the web!](#)

